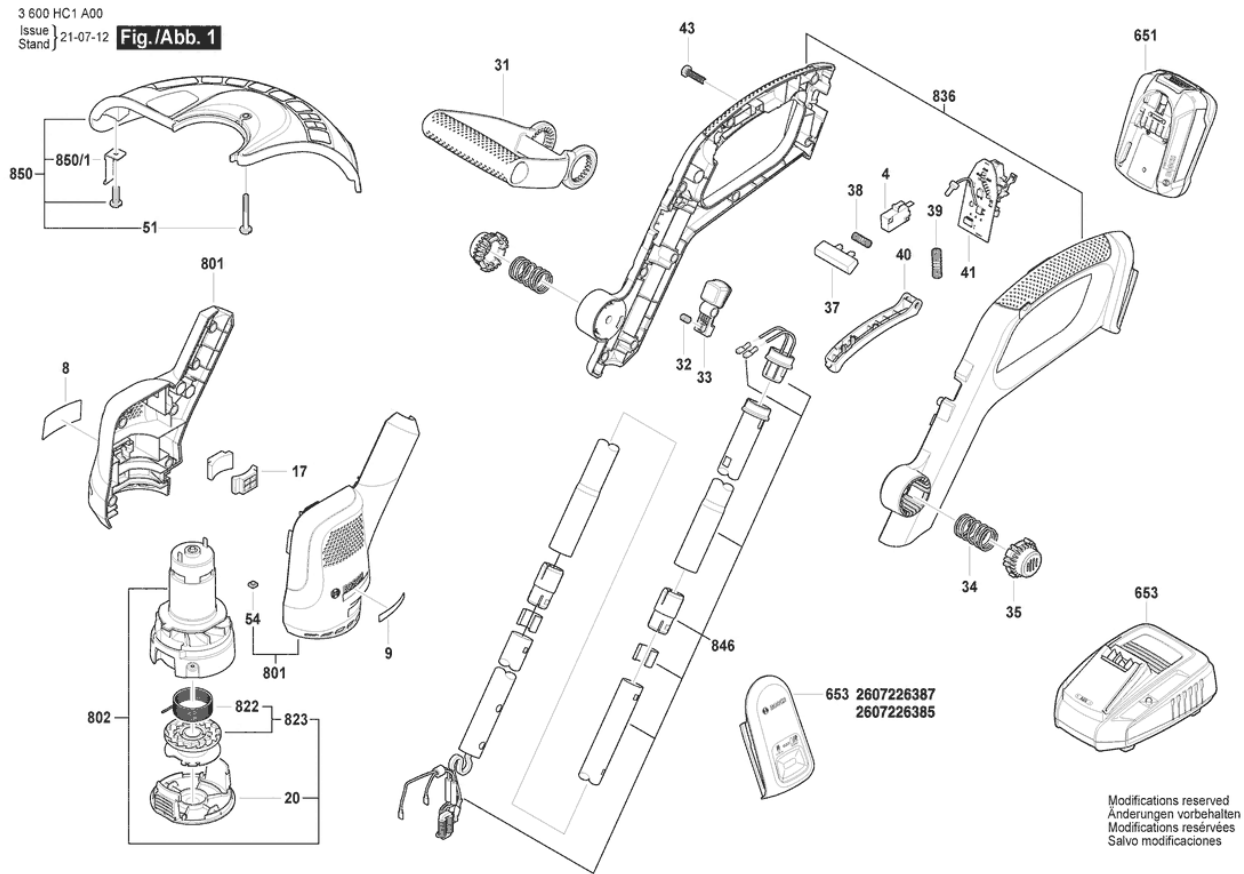


Illustration - Type - E



## Spare parts list

Item	Part Number	Description	Illustration
4	F 016 F05 315	Switch	1
8	F 016 F05 339	Nameplate	1
9	F 016 F05 316	Manufacturer's nameplate	1
17	F 016 F05 319	Rubber Pad	1
20	F 016 F05 320	Spool cover	1
31	F 016 F05 321	Auxiliary Handle	1
32	F 016 F05 322	Spring	1
33	F 016 F05 323	Button	1
34	F 016 F05 324	Button Spring	1
35	F 016 F05 325	Button	1
37	F 016 F05 326	Button	1
38	F 016 F05 327	Spring	1
39	F 016 F05 328	Spring	1
40	F 016 F05 329	Trigger	1
41	F 016 F05 330	Electronic Assembly	1
43	F 016 F05 331	Screw	1
51	F 016 F05 332	Screw	1
54	F 016 F05 317	Square Nut	1
651	1 607 A35 0RU	Battery Pack	1
653	2 607 225 965	Fast Charger	1
653	2 607 225 967	Charger GB AL 1830 CV 230/14,4-18V 1H	1
801	F 016 F05 333	Motor Housing	1
802	F 016 F05 334	Motor assembly	1
822	F 016 F05 340	Plastic Cable	1
823	F 016 F05 341	Cutting line cartridge	1
836	F 016 F05 342	Handle	1
846	F 016 F05 343	Pipe Frame	1
850	F 016 F05 571	Protective Guard	1
850/1	F 016 F05 569	Blade	1